



QUICK SPECS

Weight	18,136 lbs
Horsepower	56.9 hp
Digging Depth	15'4"

Who knew zero tail swing could be this powerful?

Show up with the wrong equipment and it can be a really long day. The ViO80-1A, our largest true zero tail swing excavator, goes where bigger, clunkier machines simply can't. You get the flexibility to work effectively against buildings or obstacles without sacrificing the power to do the job right. The 56.9-hp Tier 4 Final diesel engine comes with Yanmar's legendary durability and fuel efficiency built right in. Couple that with unmatched operator comfort, ease of operation and simple maintenance and you'll always have the right machine for the job.



ViO80-1A

POWERFUL, EFFICIENT ELECTRONICALLY CONTROLLED 56.9-HP TIER 4 FINAL DIESEL

VIPPS (VIO PROGRESSIVE 3-PUMP HYDRAULIC SYSTEM)

EASY-TO-OPERATE JOYSTICK CONTROLS WITH ARMRESTS REDUCE OPERATOR FATIGUE

SPRING STEEL CYLINDER ROD GUARDS AND HOSE PROTECTION ON BOOM AND BLADE CYLINDERS

INTEGRATED BOOM LIGHT PROTECTED FROM DAMAGE

ANGLED CRAWLER FRAME REDUCES FOREIGN MATTER BUILD-UP

ECO & AUTO-DECELERATION MODE STANDARD

AUTOMATIC SHIFTING 2-SPEED TRAVEL

ROOMY ROPS/FOPS/OPG CABIN

INNOVATIVE FEATURES



True Zero Tail Swing

Yanmar introduced the world's first zero tail swing excavator in 1993. Today, our true zero tail swing technology means no part of the housing extends beyond the tracks. The entire machine operates within its tracks, so you can work efficiently almost anywhere with less damage to the machine and the worksite.



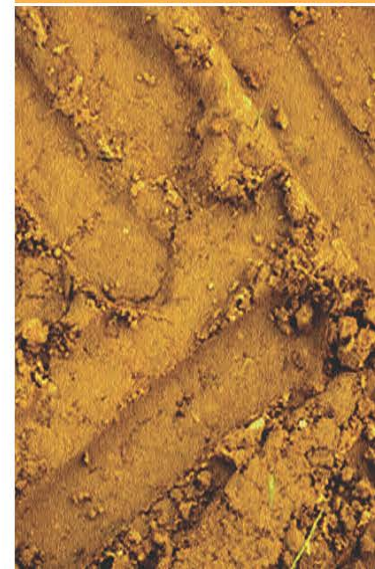
Hydraulic Quick Coupler Comes Standard

The standard hydraulic quick coupler makes changing buckets fast and easy. With the exception of fitting and removing the safety lock pin, the entire operation is performed electronically while you're seated in the comfort of the cab. Less hassle. Less downtime. More productivity.

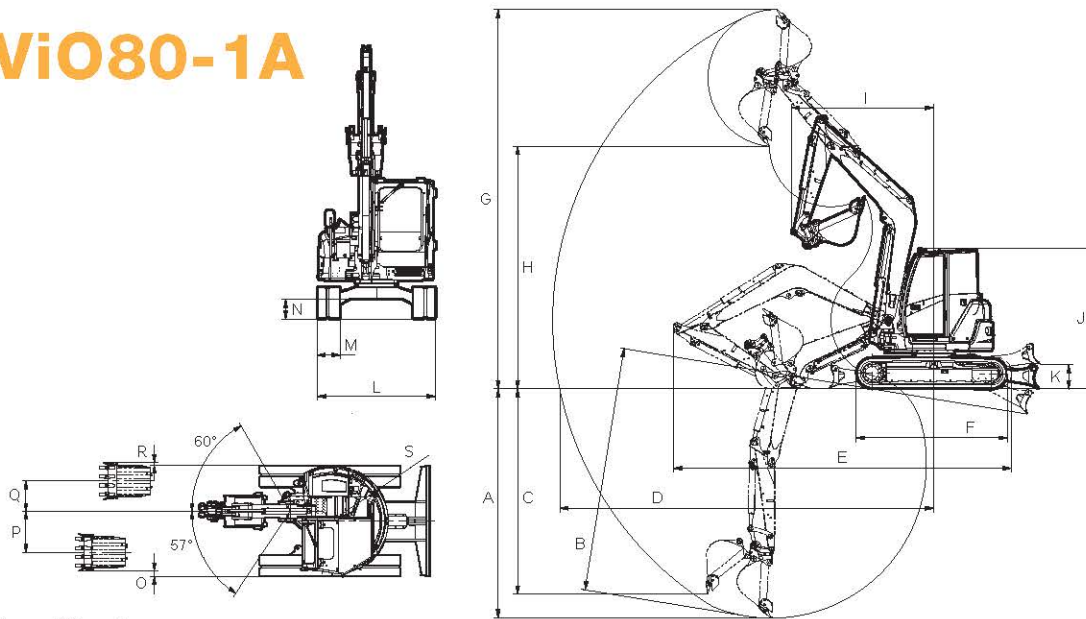


A Cab Almost As Comfortable As Your Living Room

The spacious ViO80-1A cab is designed for more elbow and leg room. The standard equipment heating and air conditioning system means you can work comfortably year round. And the sturdy, sound-blocking, anti-vibration construction means a smooth, quiet ride. All it needs is a TV.



ViO80-1A



Dimensions - ViO80-1A		
	Rubber Track	Steel Track
A	14'5" (4400)	14'5" (4430)
B	15'4" (4680)	15'5" (4710)
C	12'11" (3940)	13'0" (3950)
D	23'5" (7140)	23'11" (7280)
E	21'2" (6460)	
F	9'6" (2890)	
G	23'9" (7230)	23'6" (7200)
H	15'2" (4620)	15'1" (4590)
I	8'11" (2720)	
J	8'10" (2680)	8'10" (2680)
K	1'6" (460)	1'4" (440)
L	7'5" (2270)	7'4" (2260)
M	1'6" (450)	
N	1'3" (390)	1'2" (360)
O	5" (120)	
P	2'9" (840)	
Q	2'0" (620)	
R	2" (60)	
S	3'9" (1135)	

Specifications

Model		ViO80-1A	
Type		Cab. Rubber Track	Cab. Steel Track
Operating Weight		lbs (kg)	18136 (8225) / 18268 (8285)
Engine		Type	Water-cooled 4-cycle diesel
		Model	YANMAR 4TNV98C-WBV
		Rated Output	HP (kW)/rpm 56.9 (42.4) / 2000
		Maximum Output at High Idle Speed	HP (kW)/rpm 55.7 (41.5) / 1900
Performance		Max Digging Force, Bucket / Arm	lbs (kN) w/ QC - 11330 (50.4) / 8363 (37.2) / w/o QC - 14275 (63.5) / 8363 (37.2)
		Traveling Speed, High / Low	MPH (km / h) 2.8 (4.5) / 1.6 (2.5) / 2.6 (4.1) / 1.4 (2.3)
		Swing Speed	RPM 9.0
		Boom Swing Angle, (L / R)	degrees 57° / 60°
		Gradability	degrees 30°
Ground Contact Pressure (Rubber Track)		PSI (kPa)	5.2 (35.8) / 5.25 (36.2)
Hydraulic System		Pump Capacity	GPM (L / min) 18.6 (70.3) x 2 + 14.1 (53.2) + 5.0 (19.0)
		Main Relief Set Pressure	PSI (MPa) 3698 (25.5) x 2 + 3481 (24.0) + 421 (2.9)
Blade Dimensions		Width	ft-in (mm) 7'5" (2260)
		Stroke, Raise / Lower from G.L.	ft-in (mm) 1'6" (460) / 1'7" (480) / 1'5" (440) / 1'8" (500)
Fuel tank capacity		Gals (L)	30.4 (115)

Standard Equipment

- Hydraulic Quick Coupler
- Blade
- Boom Swing Function
- Rubber Track / Steel Track
- Auxiliary Valve and Plumbing
- Radio Antenna and Connection Harness
- Back Mirror/Side Mirror
- 2-way Control Pattern Change
- ROPS / OPG Cabin
- Windshield Washer
- Air Conditioner
- Defroster
- Joystick Pilot Controls
- Arm Rests (Adjustable)
- Suspension and Reclining Seat
- Seat Belt
- PTO Switch
- Travel Automatic Dual Speed Switch
- Auto Deceleration Switch
- Eco Mode Switch
- Engine Stop Switch
- Traveling Alarm
- Floor Mats
- Evacuation Hammer

Please note that the standard equipment may vary from this list. Consult your Yanmar dealer for confirmation.

Hydraulic PTO

Model		ViO80-1A		
Specification	Output	PSI (kPa)	GPM (L / min)	
			1900RPM	1100RPM
Combined Flow, Double Actions		3481 (24000)	31.7 (120.0)	20.1 (76)

Lifting Capacity

LIFT POINT HEIGHT in (mm)	(R) LIFT RADIUS in (mm)											
	RATED LIFT CAPACITY OVER END BLADE DOWN				RATED LIFT CAPACITY OVER END BLADE UP				RATED LIFT CAPACITY OVER SIDE BLADE UP			
	MAX	196.9 (5000)	157.1 (4000)	118.1 (3000)	MAX	196.9 (5000)	157.1 (4000)	118.1 (3000)	MAX	196.9 (5000)	157.1 (4000)	118.1 (3000)
196.9 (5000)	*3638 (1650)		*3572 (1620)		*3550 (1610)		*3461 (1570)		2734 (1240)		*3550 (1610)	
157.5 (4000)	*3417 (1550)	*3417 (1550)	*3572 (1620)		2403 (1090)	*2734 (1240)	*3417 (1550)		2271 (1030)	2491 (1130)	*3528 (1600)	
118.1 (3000)	*3483 (1580)	*3616 (1640)	*4233 (1920)	*5468 (2480)	2028 (920)	2668 (1210)	*4123 (1870)	*5336 (2420)	1896 (860)	2447 (1110)	*4145 (1880)	*5534 (2510)
78.7 (2000)	*3351 (1520)	*3946 (1790)	*5027 (2280)	*6879 (3120)	1830 (830)	2513 (1140)	3594 (1630)	*6174 (2800)	1697 (770)	2315 (1050)	3395 (1540)	4806 (2180)
39.4 (1000)	*3395 (1540)	*4255 (1930)	*5710 (2590)	*7651 (3470)	1764 (800)	2381 (1080)	3439 (1560)	4564 (2070)	1675 (760)	2249 (1020)	3175 (1440)	4255 (1930)
Ground (0)	*3373 (1530)	*4321 (1960)	*5865 (2660)	*8070 (3660)	1830 (830)	2337 (1060)	3307 (1500)	4873 (2210)	1719 (780)	2160 (980)	3153 (1430)	4542 (2060)
-39.4 (-1000)	*3329 (1510)	*4057 (1840)	*5468 (2480)	*7585 (3440)	2028 (920)	2315 (1050)	3285 (1490)	5137 (2330)	1918 (870)	2160 (980)	3087 (1400)	4674 (2120)
-78.7 (-2000)	*2976 (1350)		*4498 (2040)	*6218 (2820)	2491 (1130)		3373 (1530)	5292 (2400)	2425 (1100)		3197 (1450)	4961 (2250)

* Rated Hydraulic lift capacity